

marantz®

Model MA700 User Guide

Mono Amplifier

SAFETY INSTRUCTIONS

READ BEFORE OPERATING EQUIPMENT

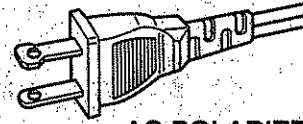
This product was designed and manufactured to meet strict quality and safety standards. There are, however, some installation and operation precautions which you should be particularly aware of.

1. **Read Instructions** — All the safety and operating instructions should be read before the appliance is operated.
2. **Retain Instructions** — The safety and operating instructions should be retained for future reference.
3. **Heed Warnings** — All warnings on the appliance and in the operating instructions should be adhered to.
4. **Follow Instructions** — All operating and use instructions should be followed.
5. **Water and Moisture** — The appliance should not be used near water—for example, near a bathtub, wash-bowl, kitchen sink, laundry tub, in a wet basement, or near a swimming pool, etc.
6. **Carts and Stands** — The appliance should be used only with a cart or stand that is recommended by the manufacturer.
7. **An appliance and cart combination should be moved with care.** Quick stops, excessive force, and uneven surfaces may cause the appliance and cart combination to overturn.



8. **Wall or Ceiling Mounting** — The appliance should be mounted to a wall or ceiling only as recommended by the manufacturer.
9. **Ventilation** — The appliance should be situated so that its location or position does not interfere with its proper ventilation. For example, the appliance should not be situated on a bed, sofa, rug, or similar surface that may block the ventilation openings; or, placed in a built-in installation, such as a bookcase or cabinet that may impede the flow of air through the ventilation openings.
10. **Heat** — The appliance should be situated away from heat sources such as radiators, heat registers, stoves, or other appliances (including amplifiers) that produce heat.
11. **Power Sources** — The appliance should be connected to a power supply only of the type described in the operating instructions or as marked on the appliance.

12. **Grounding or Polarization** — Precautions should be taken so that the grounding or polarization means of an appliance is not defeated.

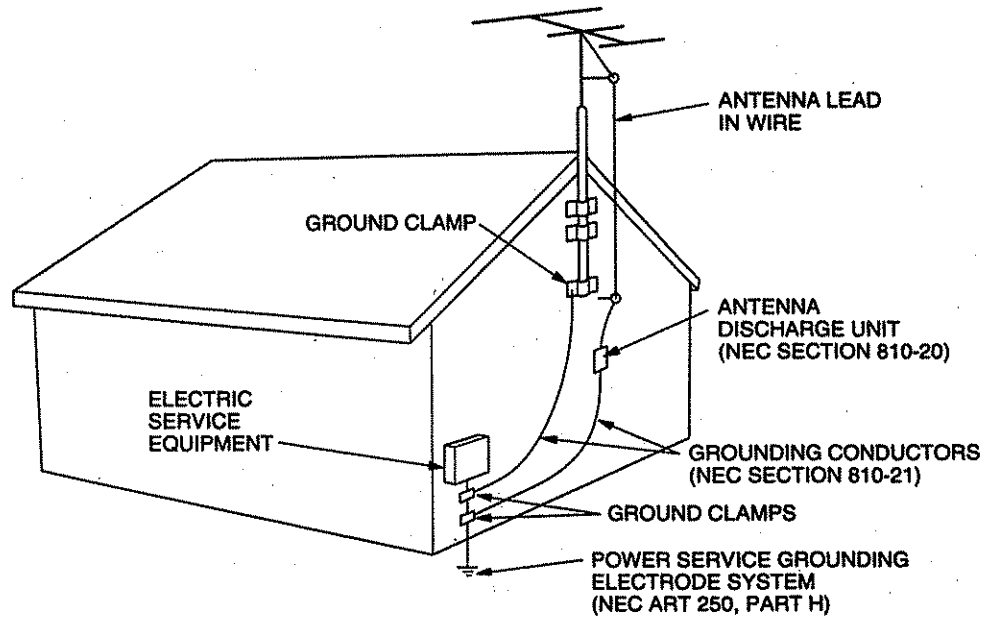


AC POLARIZED PLUG

13. **Power-Cord Protection** — Power-supply cords should be routed so that they are not likely to be walked on or pinched by items placed upon or against them, paying particular attention to cords at plugs, convenience receptacles, and the point where they exit from the appliance.
14. **Cleaning** — The appliance should be cleaned only as recommended by the manufacturer.
15. **Power Lines** — An outdoor antenna should be located away from power lines.
16. **Outdoor Antenna Grounding** — If an outside antenna is connected to the receiver, be sure the antenna system is grounded so as to provide some protection against voltage surges and built up static charges. Section 810 of the National Electrical Code, ANSI/NFPA No. 70 — 1984, provides information with respect to proper grounding of the mast and supporting structure, grounding of the lead-in wire to an antenna discharge unit, size of grounding conductors, location of antenna-discharge unit, connection to grounding electrodes, and requirements for the grounding electrode. See Fig. 1.
17. **Nonuse Periods** — The power cord of the appliance should be unplugged from the outlet when left unused for a long period of time.
18. **Object and Liquid Entry** — Care should be taken so that objects do not fall and liquids are not spilled into the enclosure through openings.
19. **Damage Requiring Service** — The appliance should be serviced by qualified service personnel when:
 - A. The power-supply cord or the plug has been damaged; or
 - B. Objects have fallen, or liquid has spilled into the appliance; or
 - C. The appliance has been exposed to rain; or
 - D. The appliance does not appear to operate normally or exhibits a marked change in performance; or
 - E. The appliance has been dropped, or the enclosure damaged.
20. **Servicing** — The user should not attempt to service the appliance beyond that described in the operating instructions. All other servicing should be referred to qualified service

FIGURE 1

EXAMPLE OF ANTENNA GROUNDING ACCORDING TO
NATIONAL ELECTRICAL CODE INSTRUCTIONS
CONTAINED IN ARTICLE 810 -"RADIO AND TELEVISION EQUIPMENT"



NEC - NATIONAL ELECTRICAL CODE

NOTE TO CATV SYSTEM INSTALLER:

This reminder is provided to call the CATV (Cable-TV) system installer's attention to Article 820-40 of the NEC, which provides guidelines for proper grounding and, in particular, specifies that the cable ground shall be connected to the grounding system of the building, as close to the point of cable entry as practical.

NOTE:

This equipment has been tested and found to comply with the limits for a Class B digital device, pursuant to Part 15 of the FCC Rules. These limits are designed to provide reasonable protection against harmful interference in a residential installation. This equipment generates, uses and can radiate radio frequency energy and, if not installed and used in accordance with the instructions, may cause harmful interference to radio communications. However, there is no guarantee that interference will not occur in a particular installation. If this equipment does cause harmful interference to radio or television reception, which can be determined by turning the equipment off and on, the user is encouraged to try to correct the interference by one or more of the following measures:

- Reorient or relocate the receiving antenna.
- Increase the separation between the equipment and receiver.
- Connect the equipment into an outlet on a circuit different from that to which the receiver is connected.
- Consult the dealer or an experienced radio/TV technician for help.

NOTE: Changes or modifications may cause this unit to fail to comply with Part 15 of the FCC Rules and may void the user's authority to operate the equipment.

This Class B digital apparatus meets all requirements of the Canadian Interference-Causing Equipment Regulations.

Cet appareil numérique de la Classe B respecte toutes les exigences du Règlement sur le matériel brouilleur du Canada.

1. INTRODUCTION

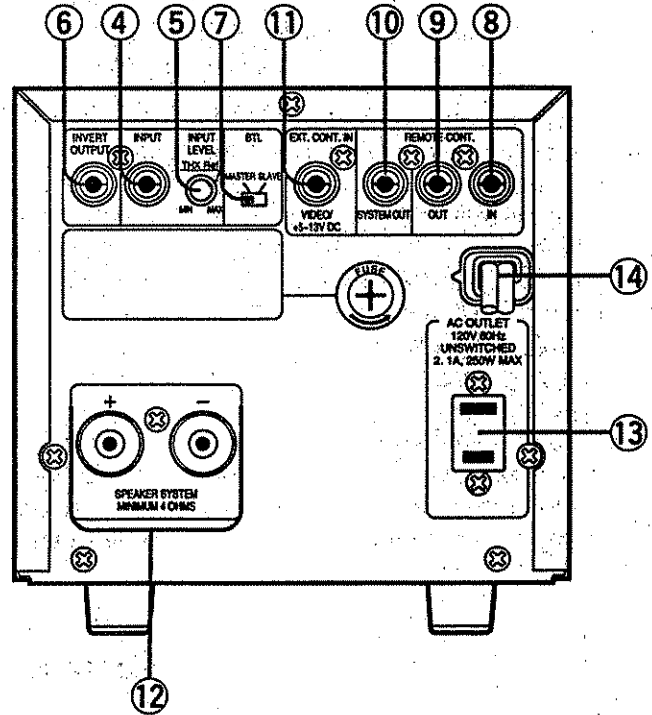
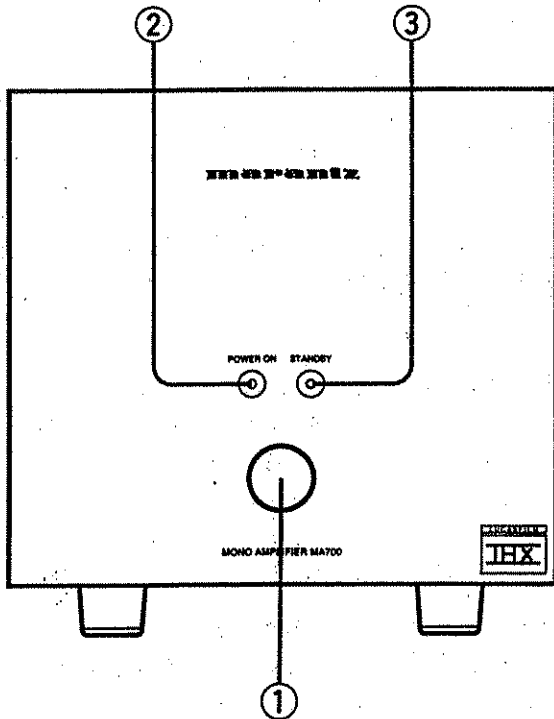
Thank you for purchasing the Marantz MA700 power amplifier for your sound system. Please take a few minutes to read this manual thoroughly, before you attempt connections and operation.

The Marantz MA700 is a monophonic (single channel) amplifier, that is designed for home theater and high quality audio systems.

2. FEATURES

- The MA700 is a monaural power amplifier developed for use in hi-fi AV systems.
- It is a high-power power amplifier with all-discrete circuit configuration with rated outputs of 200 W/8-ohm or 300 W/4-ohm.
- It is designed with narrow panel area to reduce the installation area. The width becomes 435 mm when 3 units are placed side by side.
- The small space requirement is ideal for use as an extension amplifier for AV components such as a Dolby Surround processor.
- It is provided with the MARANTZ remote control capability so its power can be controlled from a MARANTZ preamplifier or integrated amplifier (MARANTZ remote control compatible products).
- The power of the unit can be switched by remote control using a video signal or DC signal.
- An invert output jack is provided to allow BTL connection of 2 MA700 units.
- THX®-certified

3. NAMES AND FUNCTIONS



① Power switch

Press the button to turn power on (POWER ON mode), and press it again to turn power off (POWER OFF mode). When it is required to remote control the power mode of the MA700, be sure to leave this switch in the POWER ON mode.

② POWER ON indicator

The indicator lights up when the power is on and the unit is ready to output sound.

When the power switch is pressed to turn power on, the indicator blinks for about 4 seconds to indicate that the amplifier output is muted in this period.

It also blinks whenever the amplifier output is muted by the operation of the amplifier protection circuit.

③ STANDBY indicator

This indicator lights up when the unit is put to the STANDBY mode by remote control or based on the video signal input.

In the STANDBY mode, the power supply to the internal circuit of the amplifier is cut so the heat generation and power consumption are minimized.

④ Audio INPUT jack

Connect the preamplifier output to this jack.

⑤ INPUT LEVEL control

This control sets the amplifier's output level by adjusting its input level.

When more than one unit of MA700 is connected, this control is used to adjust the level balance between the amplifiers.

When you use the MA700 in a THX system, set the knob to THX Ref.



⑥ Audio INVERT OUTPUT jack

When two MA700 units are connected in BTL connection, connect the INVERT OUTPUT jack of the master unit to the INPUT jack of the slave unit. (See "CONNECTIONS".)

⑦ BTL switch

When two MA700 units are connected in BTL connection, set the BTL switch of the master unit to "MASTER" and that of the slave unit to "SLAVE".

This switch has the function to bypass the input level control circuitry and is used to prevent unbalance between 2 amplifiers in BTL connection. (See "CONNECTIONS".)

⑧ REMOTE CONT. IN jack

Connect with the remote control output jack of a component which is compatible with MARANTZ remote control system.

The remote control allows to switch the power of the MA700 between the "POWER ON" mode and "STANDBY" mode.

⑨ REMOTE CONT. OUT jack

Connect with the remote control input jack of a component which is compatible with MARANTZ remote control system.

⑩ REMOTE CONT. SYSTEM OUT jack

Connect with the REMOTE CONT. IN jack of another MA700 unit. This jack outputs the "POWER ON" or "STANDBY" remote control signal with a delay of about 0.1 second. This prevents the MA700 unit connected to this unit from turning on at the same time as this unit so that the current which flows then does not shut off the household circuit breaker.

⑪ EXT. CONT IN Jack

Not connected when the power is to be controlled from a MARANTZ remote control unit.

Connect to the video signal output of a video component when the power is to be controlled based on a video signal.

The external control allows to switch the "POWER ON" and "STANDBY" modes of the unit according to the "presence" and "absence" of video signal.

When the video signal becomes absent while the power of the unit is on, it enters the "STANDBY" mode in about 4 seconds; the unit enters the "POWER ON" mode again when the video signal is input again.

As the control data of the EXT. CONT IN jack is also output at the REMOTE CONT. OUT jack, the MA700 units connected after this unit can also be switched between the "POWER ON" and "STANDBY" modes.

Leave Power switch ① in the ON position.

* External control using a signal from 5 to 13 V in place of video signal is also possible using this jack. However, as this scheme belongs to the professional use, please consult MARANTZ if you want to adopt such an external control scheme.

⑫ SPEAKER SYSTEM terminals

Connect with speakers using speaker cords. Respect the + and - polarity when connecting speakers.

Use speakers with an impedance of 4 to 16 ohms. The speaker impedance should be 8 to 16 ohms in case of BTL connection.

⑬ AC OUTLET

This receptacle supplies AC power regardless of the power switch setting.

The total power consumption of the equipment connected to this receptacle should not exceed 250 W.

If you want to connect the MA700, you can connect only one unit here. Do not connect more than one MA700 in series.

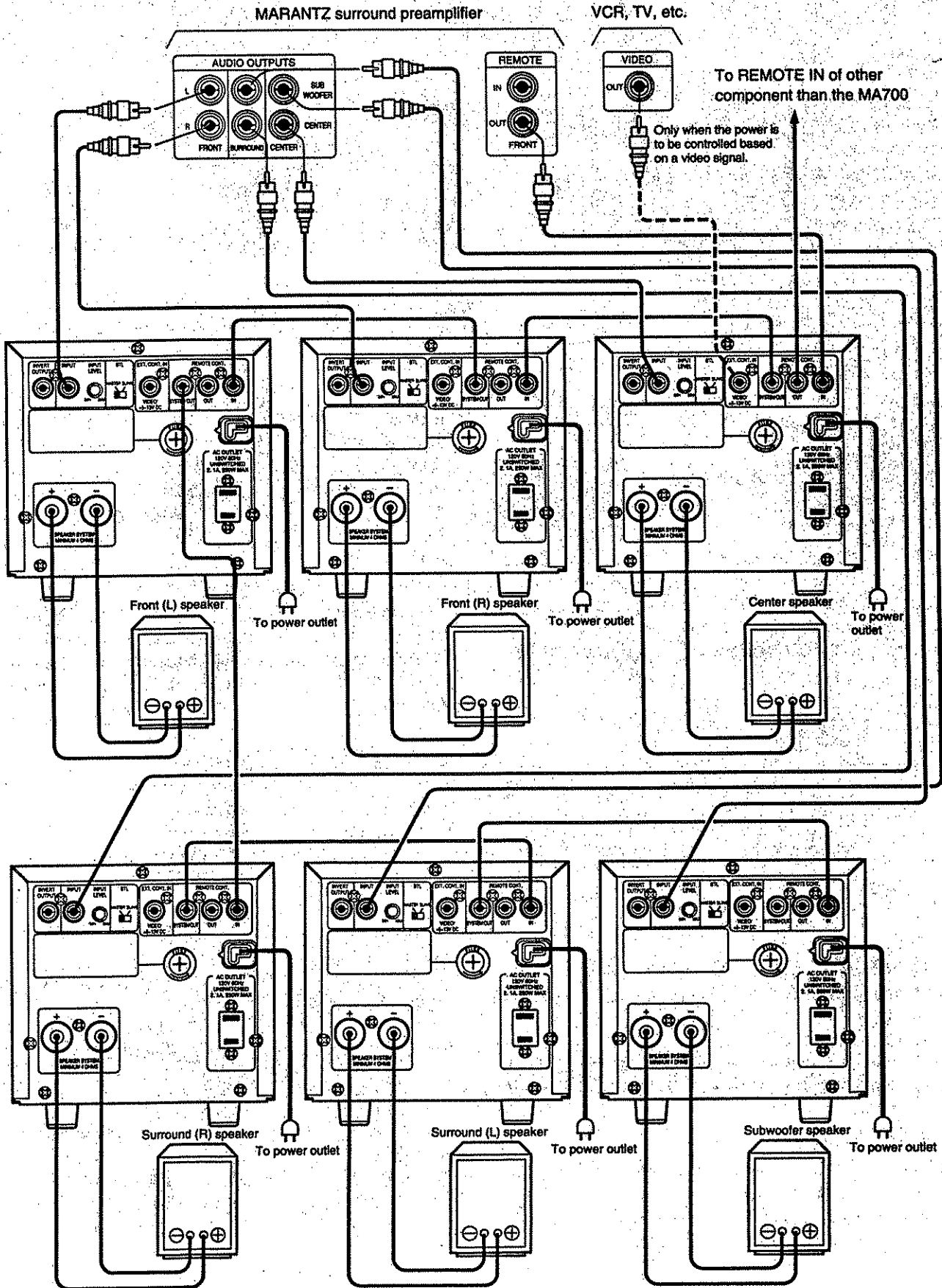
⑭ Power cord

Insert the plug at the extremity of the power cord into a 120 V AC household AC outlet.

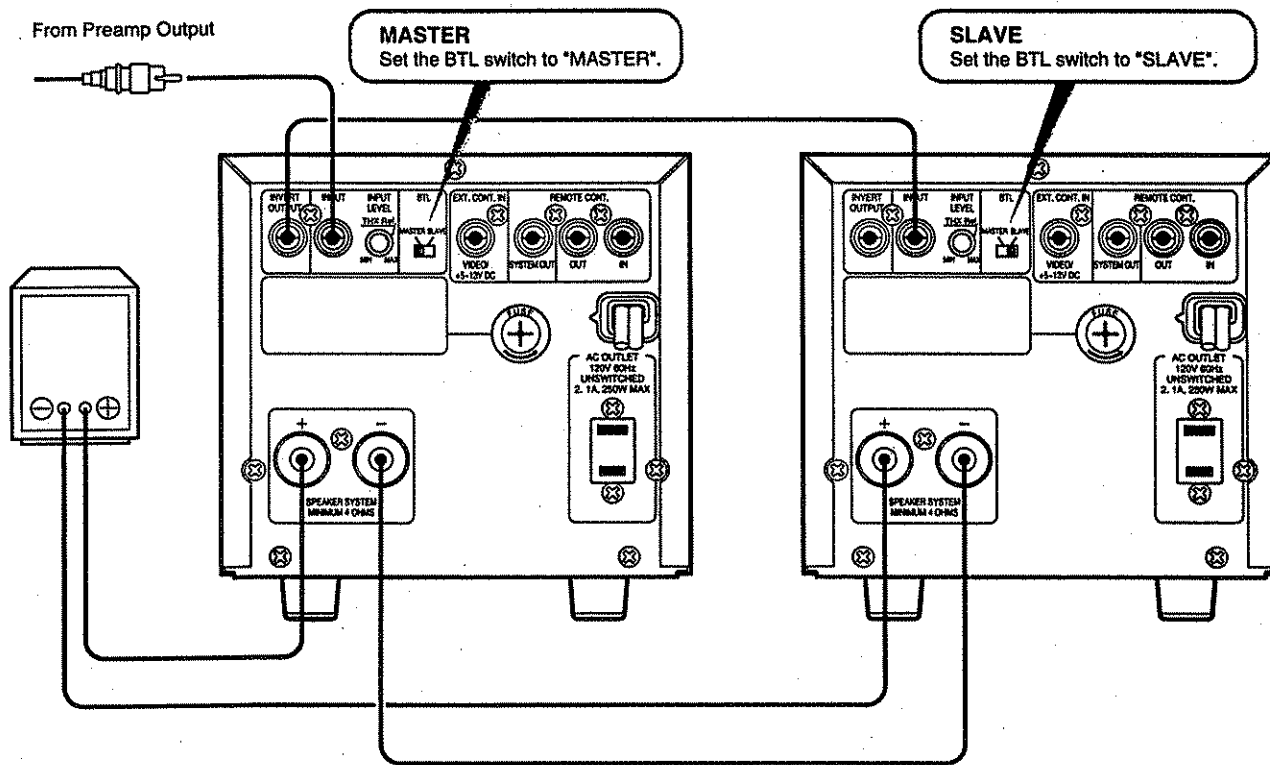
To Enjoy sound with a higher quality, it is recommended to match the power connection polarity with other components. The white-lined wire of the power cord is the neutral (GND) wire.

4. CONNECTIONS

[6-Channel connection]



[BTL connection of 2 units]



CAUTION:

- When the units are in the BTL connection, be sure to connect the "-" speaker terminals of the two units.
- For the speaker cords, use the cords provided with the units or cords with the same thickness as the cords from the speakers.
- The BTL connection should always be made between two MA700 units.
Do not connect the MA700 and a different model of amplifier in BTL connection.
- Use speakers with an impedance of 8 to 16 ohms.
- When it is required to use the remote function, refer to the connection shown in [6-Channel connection].
- MA700 is not THX certified for BTL operation.

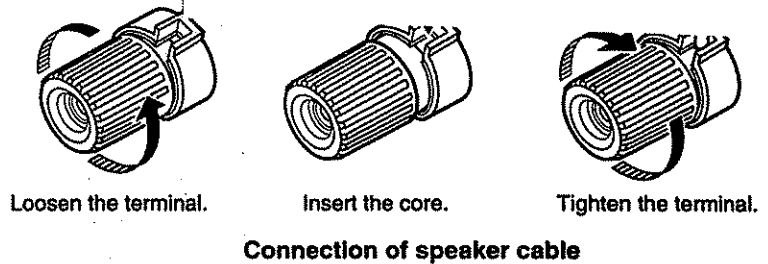
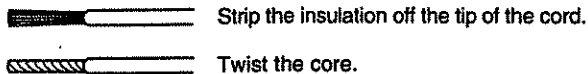
5. SPEAKER CONNECTION

This equipment, being a high audio output power amplifier, has a hazardous energy at its speaker terminal. Please be sure to make an appropriate speaker connection according to the following procedures:

- * Confirm that the power switch of the equipment is at "OFF" position. If it is at "ON", turn it to "OFF" position to connect a speaker cable.
- * Use a speaker cable with the flame retardant rating of Type SPT-2 or more.
- * Don't strip the insulation off more than shown in the figure, at the speaker terminal connection of speaker cable.

- * Connect the speaker cable to the speaker terminal as indicated.
- * Connect the speaker cable to the speaker terminal under the condition that the power switch is at "OFF" position.
- * Prevent the speaker cable from being disconnected from the speaker terminal.
- * Don't touch the speaker terminal when the power switch is at "ON" position.

Speaker cable (Type SPT-2)



6. CARE AND MAINTENANCE

This section describes the care and maintenance tasks that must be performed to optimize the operation of your Marantz equipment.

CLEANING OF EQUIPMENT EXTERNAL SURFACES

The exterior finish of your unit will last indefinitely with proper care and cleaning. Never use scouring pads, steel wool, scouring powders or harsh chemical agents (e.g., lye solution), alcohol, thinners, benzene, insecticide or other volatile substances as these will mar the finish of the equipment. Likewise, never use cloths containing chemical substances. If the equipment gets dirty, wipe the external surfaces with a soft, lint-free cloth.

If the equipment becomes heavily soiled:

- dilute some washing up liquid in water, in a ratio of one part detergent to six parts water.
- dip a soft, lint free cloth in the solution and wring the cloth out until it is damp.
- wipe the equipment with the damp cloth.
- dry the equipment by wiping it with a dry cloth.

7. REPAIRS

Only the most competent and qualified technicians should be allowed to service your unit. Marantz and its factory trained warranty station personnel have the knowledge and special equipment needed for repair and calibration of this precision instrument.

In the event of difficulty, call the toll-free telephone number listed on the face of the warranty to obtain the name and address of the Marantz Authorized Service Center nearest you. In many cases, the dealer where you purchased your Marantz unit may be equipped to provide service. Please include the model, serial number of your unit together with a copy of your purchase receipt and a full description of what you feel is abnormal in its behavior.

8. TROUBLESHOOTING

The amplifier does not operate and the POWER ON indicator does not light.

- Is the power cable plugged in properly to the AC power outlet?

The POWER ON indicator lights, but the amplifier does not function.

- Are speaker cables and input cables connected properly?

9. SPECIFICATION

Rated output	200 W	8-ohm, rms
Distortion	0.02 %	
Rated input level	1 V rms	
Frequency response (-1 dB)	5 Hz to 100 kHz	
S/N ratio	110 dB	
Damping factor (1 kHz)	200	
Power supply	120 V AC, 60 Hz	
Power consumption	220 W	
	(Stand-by)	3.5 W

Dimensions

Width	145 mm
Height	146 mm
Depth	472 mm
Weight	8 kg

Accessories

Remote control cable	x 1
Speaker cable for BTL connection	x 1
Audio cable	x 1

Design and specifications are subject to change without notice.

1. INTRODUCTION

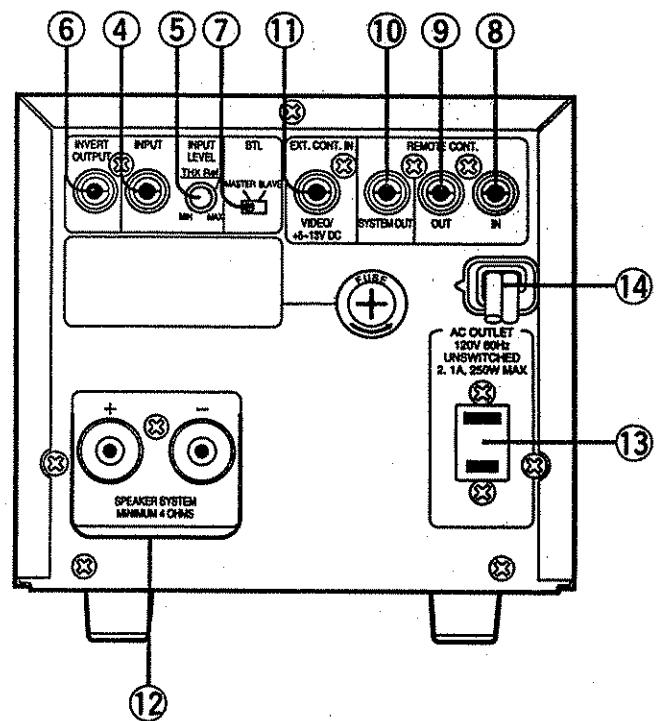
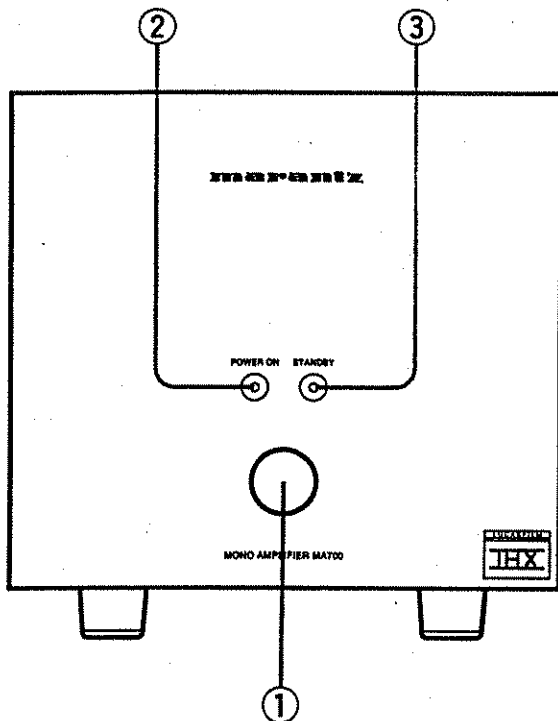
Nous vous félicitons d'avoir porté votre choix sur cet amplificateur de puissance pour votre chaîne audio. Veuillez prendre la peine de lire attentivement et complètement le présent mode d'emploi avant de raccorder et d'utiliser votre nouvel appareil.

Le MA700 de Marantz est un amplificateur de puissance monaural (une seule voie) conçu pour les chaînes audio et audio/vidéo de salon.

2. PARTICULARITES

- L'amplificateur monophonique MA700 est conçu pour les chaînes audiovisuelles haute fidélité.
- C'est un appareil qui ne comporte que des circuits discrets et qui est capable de produire une puissance élevée: 200 Watts/8 Ohms ou 300 Watts/4 Ohms.
- Sa face avant est étroite de manière que l'appareil occupe peu de place. La largeur de trois appareils montés côte à côte atteint tout juste 435 mm.
- Le faible encombrement de cet amplificateur en fait un appareil idéal comme complément d'éléments audiovisuels tels qu'un processeur Dolby Surround.
- Il est prévu pour la télécommande MARANTZ, autrement dit la puissance de sortie peut être réglée à partir d'un préamplificateur ou d'un amplificateur intégré MARANTZ (appareils compatibles avec la télécommande MARANTZ).
- La mise en service de l'appareil peut être commandée à distance au moyen d'un signal vidéo ou d'une tension continue.
- Il possède une sortie inversée qui permet son association en montage BTL avec un autre amplificateur MA700.
- Agréé THX®

3. NOM ET ROLE DES COMMANDES



① Interrupteur d'alimentation

Appuyez sur cette touche pour mettre l'appareil en service (POWER ON); une nouvelle pression sur la même touche met l'appareil hors service (POWER OFF). Pour que la commande à distance de la mise en service de l'amplificateur MA700 soit possible, il faut conserver l'interrupteur sur la position POWER ON.

② Témoin POWER ON

Ce témoin s'éclaire lorsque l'appareil est en service et qu'il est prêt à fournir des signaux sonores.

- Lorsque vous appuyez sur l'interrupteur d'alimentation pour mettre l'appareil en service, ce témoin clignote pendant environ 4 secondes pour signaler que l'amplificateur n'est pas en mesure de fournir des signaux sonores. Ce témoin clignote également lorsque la sortie de l'amplificateur est interrompue en raison du fonctionnement du circuit de protection.

③ Témoin STANDBY

Ce témoin s'éclaire lorsque l'appareil est placé en veille (STANDBY) à l'aide de la télécommande, ou en l'absence de signal vidéo d'entrée.

Lorsque l'appareil est en veille, la grande majorité de ses circuits ne sont pas alimentés de sorte que la chaleur dégagée et la consommation d'énergie sont négligeables.

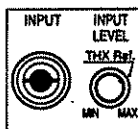
④ Prise audio INPUT

Cette prise est destinée à recevoir le signal fourni par la sortie du préamplificateur.

⑤ Commande INPUT LEVEL

Cette commande détermine le niveau de sortie de l'amplificateur en agissant sur son niveau d'entrée.

Si l'installation comporte plus d'un amplificateur MA700, cette commande permet de régler l'équilibrage entre les amplificateurs. Lorsque le MA700 fait partie d'un système THX, ce bouton doit occuper la position THX Ref.



⑥ Prise audio INVERT OUTPUT

- Lorsque deux amplificateurs MA700 sont montés en BTL, reliez la prise INVERT OUTPUT de l'appareil maître à la prise INPUT de l'appareil esclave. (Reportez-vous à "RACCORDEMENTS".)

⑦ Commutateur BTL

- Lorsque deux amplificateurs MA700 sont montés en BTL, placez le commutateur BTL de l'appareil maître sur la position "MASTER" et celui de l'appareil esclave sur la position "SLAVE".

Le rôle de ce commutateur est de permettre le contournement des circuits de commande de niveau d'entrée et d'éviter que ne se crée un déséquilibre entre deux amplificateurs montés en BTL. (Reportez-vous à "RACCORDEMENTS".)

⑧ Prise REMOTE CONT. IN

Reliez cette prise à la prise de sortie de télécommande de l'appareil MARANTZ associé prévu pour la télécommande d'ensemble.

La télécommande permet de mettre l'amplificateur MA700 en service (POWER ON) ou en veille (STANDBY).

⑨ Prise REMOTE CONT. OUT

Reliez cette prise à la prise d'entrée de télécommande de l'appareil MARANTZ associé prévu pour la télécommande d'ensemble.

⑩ Prise REMOTE CONT. SYSTEM OUT

Reliez cette prise à la prise REMOTE CONT. IN d'un autre amplificateur MA700.

Cette prise fournit les signaux de télécommande "En service" (POWER ON) et "En veille" (STANDBY) avec un retard de 0,1 seconde. Cette disposition évite que deux amplificateurs MA700 ne soient mis sous tension en même temps et que le disjoncteur éventuellement associé à la prise secteur qui alimente les deux, ne soit déclenché en raison d'un trop fort appel de courant.

⑪ Prise EXT. CONT IN

Cette prise est laissée libre lorsque l'alimentation doit être mise en service à partir d'une télécommande MARANTZ.

Si l'alimentation doit être commandée par un signal vidéo, appliquez ici le signal vidéo présent en sortie d'un appareil vidéo.

Cette prise de commande extérieure permet de placer l'appareil en service (POWER ON) ou en veille (STANDBY) selon qu'un signal vidéo est présent ou absent. Si, l'appareil étant en service, le signal vidéo disparaît, l'appareil adopte le mode de veille (STANDBY) dans les 4 secondes qui suivent; il revient en service (POWER ON) lorsque le signal vidéo est à nouveau présent.

Etant donné que les signaux présents sur la prise EXT. CONT IN le sont également sur la prise REMOTE CONT. OUT, les amplificateurs MA700 reliés à celui-ci peuvent également passer de la mise en service (POWER ON) à la veille (STANDBY).

Conservez l'interrupteur d'alimentation ① sur la position ON.

*Cette prise permet aussi d'effectuer une commande à l'aide d'un signal extérieur de tension comprise entre 5 et 13 V, et non plus à l'aide d'un signal vidéo. Cette manière de procéder est, en général, réservée à un usage professionnel. Consultez le distributeur MARANTZ si vous désirez procéder de cette manière.

⑫ Prises SPEAKER SYSTEM

Reliez ces prises aux enceintes acoustiques au moyen de cordons de liaison. Respectez soigneusement les polarités + et -.

Utilisez des enceintes dont l'impédance est comprise entre 4 et 16 Ohms.

Dans le cas d'un montage en BTL, l'impédance des enceintes doit être comprise entre 8 et 16 Ohms.

⑬ AC OUTLET

Cette prise fournit la tension alternative quelle que soit la position de l'interrupteur.

La puissance consommée par un appareil relié à cette prise ne doit pas dépasser 250 Watts.

A titre d'exemple, vous ne pouvez brancher qu'un amplificateur MA700 sur cette prise. Ne branchez pas plus d'un amplificateur MA700 en série.

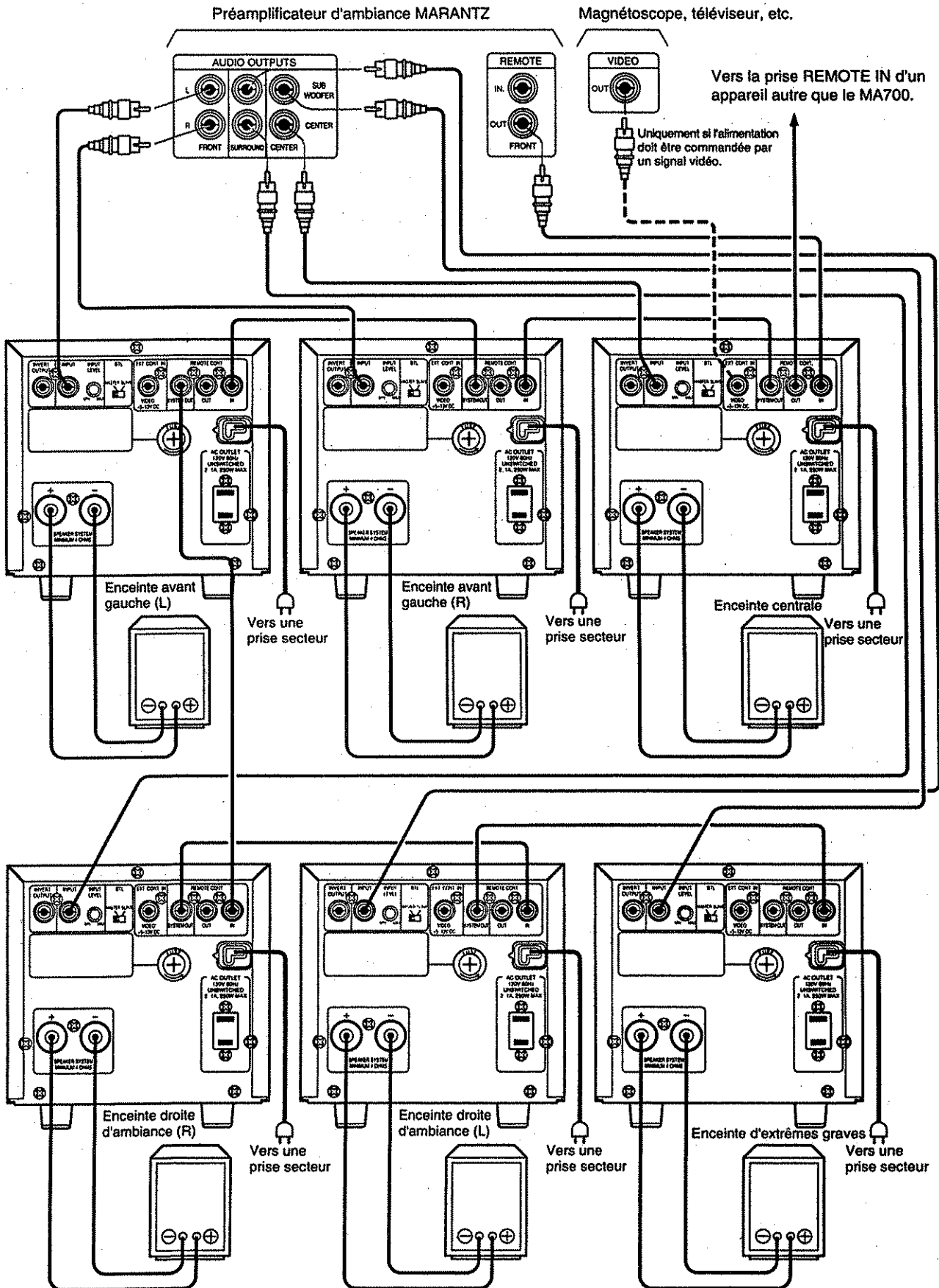
⑭ Cordon d'alimentation

Introduisez la fiche du cordon d'alimentation dans une prise secteur de 120 Volts.

Pour améliorer la qualité du signal sonore, nous conseillons de veiller à ce que la fiche de chaque appareil occupe la même position. Pour vous aider en cela, le cordon d'alimentation porte un filet blanc qui repère le conducteur de neutre (GND).

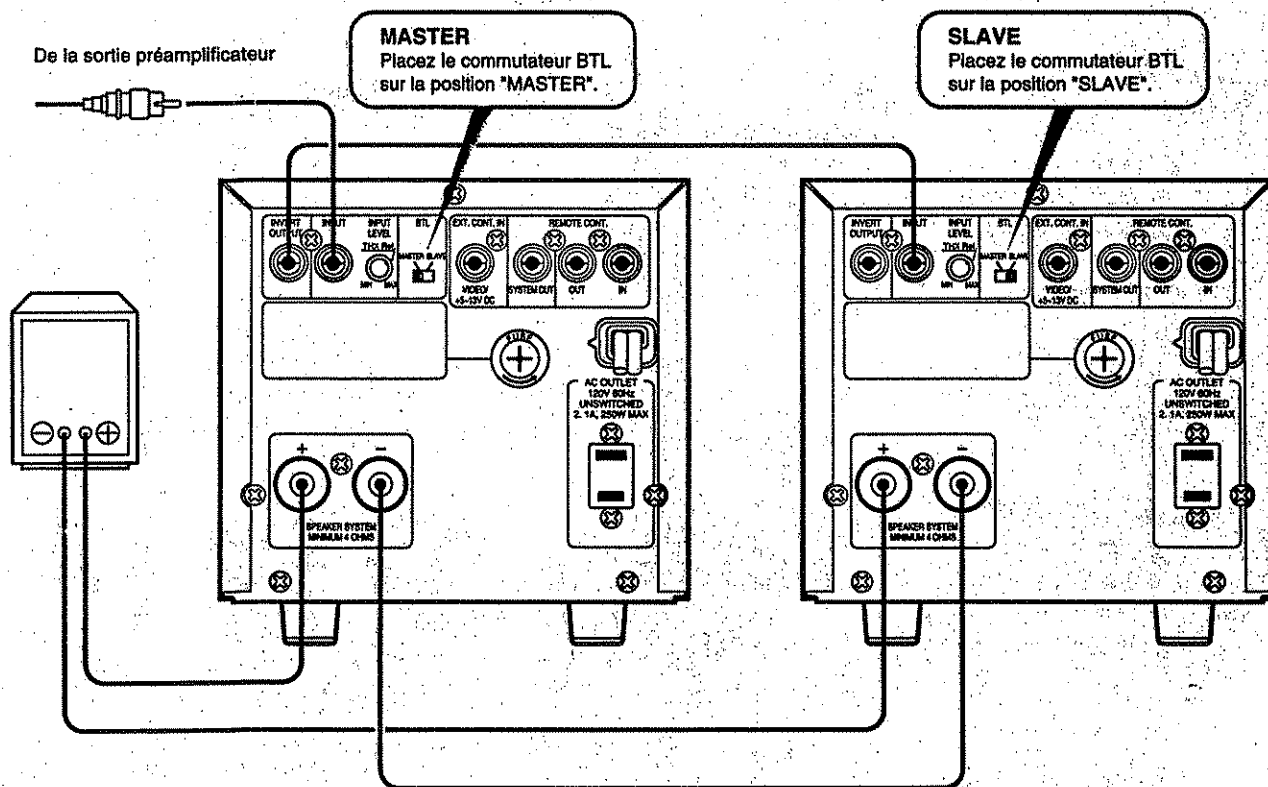
4. RACCORDEMENTS

[Raccordements 6 voies]



Français

[Montage BTL de deux appareils]



ATTENTION:

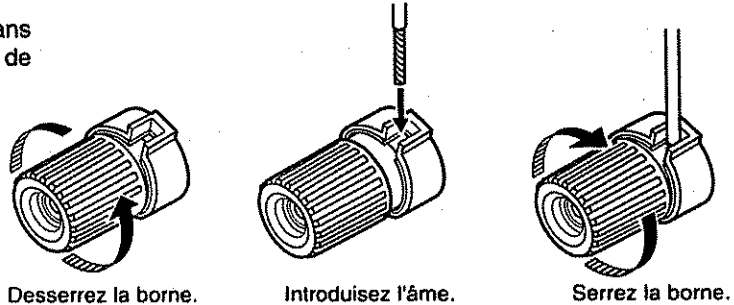
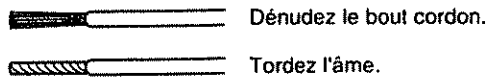
- Lorsque les appareils sont reliés en montage BTL, veillez à ce que les bornes "-" des enceintes soient connectées.
- Utilisez les cordons de liaison fournis avec les appareils, ou bien des cordons dont la section est la même que celle des cordons de liaison aux enceintes.
- Le montage BTL ne doit être réalisé qu'avec deux amplificateurs MA700.
Ne montez pas en BTL un amplificateur MA700 et un autre appareil.
- Utilisez des enceintes dont l'impédance est comprise entre 8 et 16 Ohms.
- Si vous désirez pouvoir utiliser la commande à distance, reportez-vous au schéma [Raccordements pour 6 voies].
- Le MA700 n'est pas agréé THX pour fonctionnement en montage ponté.

5. CONNEXION DE HAUT-PARLEUR

Cet appareillage, en tant qu'amplificateur à grande puissance de sortie, contient une énergie très dangereuse au niveau des bornes de haut-parleur. Veuillez prendre soin de faire une connexion de haut-parleur en respectant les instructions suivantes:

- * Vérifiez que l'interrupteur d'alimentation de l'appareillage est en position d'arrêt (OFF). S'il est en position de marche (ON), mettez-le en position d'arrêt (OFF) pour brancher un câble de haut-parleur.
- * Utilisez un câble de haut-parleur avec un indice ignifuge du type SPT-2 ou plus.
- * N'enlevez pas plus d'isolement que ce qui est illustré dans la figure en branchant le câble de haut-parleur à la borne de haut-parleur.

Câble de haut-parleur (type SPT-2)



Connexion du câble de haut-parleur

- * Respectez l'ordre indiqué des polarités des bornes, en branchant les haut-parleurs.
- * Branchez un câble de haut-parleur à la borne de haut-parleur de façon à ce que 1.6 mm de la partie isolée soit introduite dans la borne et que l'âme nue du câble de haut-parleur ne soit jamais exposée en dehors de la borne.
- * Evitez toute surcharge du câble de haut-parleur branché à la borne de haut-parleur.
- * Ne touchez pas les bornes de haut-parleur pendant le fonctionnement.

6. ENTRETIEN

Ce chapitre décrit les soins et travaux d'entretien pour optimiser le fonctionnement de cet appareil Marantz.

NETTOYAGE DES SURFACES EXTERNES DE L'APPAREIL

La finition externe de cet appareil Marantz durera indéfiniment si l'on en prend soin et si certaines précautions sont observées lors de son nettoyage. En aucun cas on n'utilisera un tampon abrasif, laine de verre, poudre à récurer, produit chimique corrosif (tel que soude caustique), alcool, dissolvant, insecticide ou autre substance volatile, car ils pourraient abîmer la finition de l'appareil. De même, ne jamais utiliser de chiffons contenant des substances chimiques. Si l'appareil est souillé, nettoyez ses surfaces extérieures avec un chiffon doux non pelucheux.

Si l'appareil est très sale:

- diluer du détergent pour vaisselle dans de l'eau dans un rapport d'une partie de détergent pour six parties d'eau.
- tremper un linge doux et non pelucheux dans la solution et le tordre pour qu'il ne soit pas trop mouillé.
- frotter l'appareil avec le linge humidifié.
- sécher l'appareil en l'essuyant avec un chiffon sec.

7. REPARATIONS

Seuls des techniciens compétents et qualifiés doivent être autorisés à réparer votre appareil. Marantz et son personnel formé en usine ont les connaissances et l'équipement spécial nécessaires aux réparations et réglages de cet instrument de précision.

Dans le cas d'un problème, appeler le numéro de téléphone gratuit dont la liste se trouve sur la page de la garantie pour obtenir le nom et l'adresse du centre de service Marantz autorisé le plus proche de votre domicile. Dans de nombreux cas, le concessionnaire chez lequel vous avez acheté votre appareil Marantz sera équipé pour vous offrir ce service. Veuillez inclure le numéro de modèle et de série de votre appareil ainsi qu'une copie de votre reçu d'achat et une description complète de ce que vous pensez être anormal dans le fonctionnement.

8. EN CAS D'ANOMALIE

L'amplificateur ne fonctionne pas et le témoin POWER ON ne s'allume pas.

- Le câble d'alimentation est-il convenablement raccordé à une prise secteur?

Le témoin POWER ON est allumé mais l'amplificateur ne fonctionne pas.

- Les câbles de haut-parleur et de signaux d'entrée sont-ils raccordés correctement?

9. CARACTERISTIQUES TECHNIQUES

Puissance nominale de sortie	200 W eff., 8 Ohms
Distorsion	0.02 %
Tension nominale d'entrée	1 V eff.
Réponse en fréquence (-1 dB)	5 Hz à 100 kHz
Rapport S/B	110 dB
Facteur d'amortissement (1 kHz)	200
Alimentation	120 V, 60 Hz
Consommation	220 W
	(STAND BY) 3.5 W

Dimensions	
Largeur	145 mm
Hauteur	146 mm
Profondeur	472 mm
Poids	8 kg

Accessoires

Câble de télécommande	x 1
Câble de liaison pour enceintes pour montage BTL	x 1
Câble audio	x 1

Les caractéristiques et la présentation peuvent être modifiées sans avis préalable.